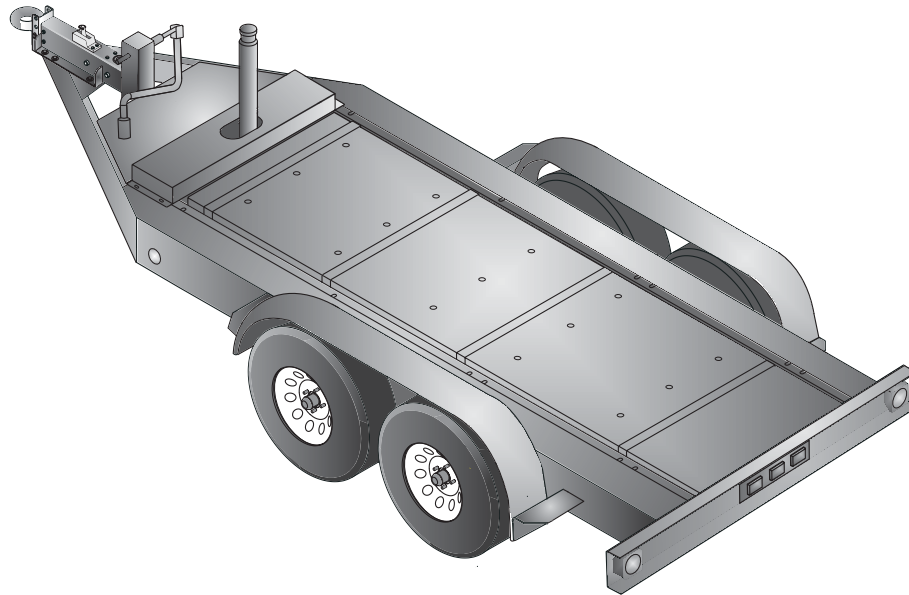




# TRLR220XF Tandem Axle Trailer



| TRLR220XF Technical Data           |                                      |                    |                                |
|------------------------------------|--------------------------------------|--------------------|--------------------------------|
| Gross Vehicle Weight Rating (GVWR) | 13,500 lbs                           | Tire Size          | ST235/80R16 LR-E               |
| Gross Axle Weight Rating (GAWR)    | 7,000 lbs (ea.)                      | Wheel Bolt Pattern | 8 Lug on 6.5 in                |
| Actuator Rating                    | 20,000 lbs                           | Tire Load Rating   | 3,500 lbs (ea.)                |
| Coupler Rating                     | See Coupling Options on reverse page | Dimensions (LxWxH) | See Dimensions on reverse page |

## Standard Trailer Equipment

- Fits MQ Power Generator Model DCA220SSJ
- Tandem-axle Design with Leaf Spring Suspension
- H.D. Welded Steel Frame Construction
- Structural Channel for Generator Mounting and Support
- Integral Fuel Cell; Single-wall Steel Design; 300-gallon Capacity
- Replaceable, Bolt-on Hydraulic Brake Actuator
- Surge Hydraulic-actuated Drum Brakes (all axles)
- Hydraulic Uni-servo Drum Brakes with Free-backing Plates - 12-inch Cluster
- D.O.T. Steel Brake Lines, Brass Tees & Rubber Hydraulic Brake Hoses
- 4-hole Channel Allows 3-position, Adjustable Coupler Height; 4-inches O/A
- Heavy-duty, Tongue Mounted, Drop-leg Jack (rated 10,000 pound lift)
- Replaceable, Bolt-on Steel Fenders
- High-gloss Enamel Coated Frame, Channel, Actuator & Fenders
- D.O.T. Approved Tail Lamps, Stop Lamps, Turn Signal Lamps, Side Marker Lamps
- Weatherproof, Rubber Armored, 3-piece Trailer Light Wiring Harness



# TRLR220XF Tandem Axle Trailer

## Optional Trailer Equipment

- Bolt-on Electric Brake Coupler Plate with Electric-actuated Drum Brakes (all axles)
- Electric Breakaway Safety Device (electric-actuated brakes)
- Adjustable 2 5/16-inch Ball Coupler
- Adjustable 3-inch Pintle-eye Coupler
- Rear Stabilizer Stands
- Tongue Mounted Utility Storage Box
- Anti-Theft Wheel Lock
- Spare Tire with Locking Mount

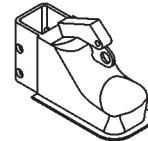
## Coupler Options

3" PINTLE EYE  
20,000 lbs

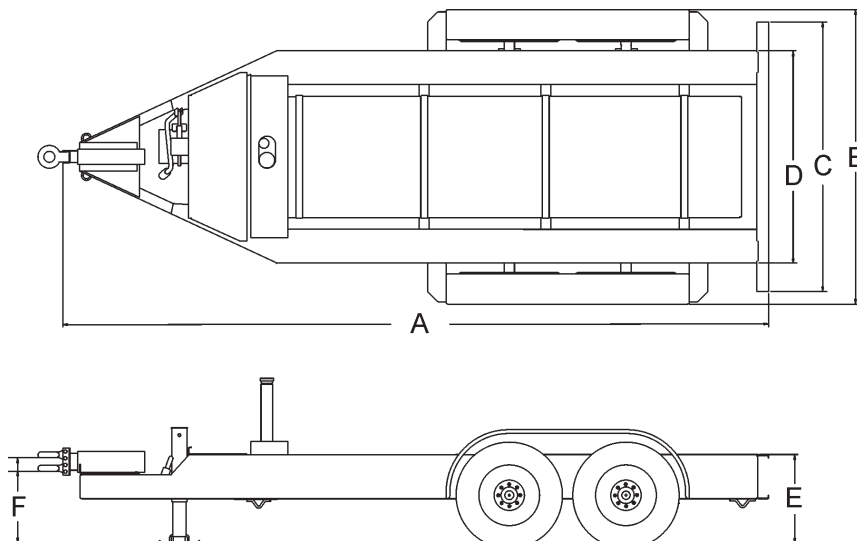


#EE36264

2-5/16" BALL COUPLER  
14,000 lbs



#EE43254



| Trailer Dimensions    |          |        |        |                       |          |          |  |
|-----------------------|----------|--------|--------|-----------------------|----------|----------|--|
| A                     | B        | C      | D      | E                     | F        |          |  |
|                       |          |        |        |                       | Min.     | Max.     |  |
| 209 in.               | 87.4 in. | 80 in. | 63 in. | 26.4 in.              | 21.4 in. | 25.4 in. |  |
| Trailer Weight        |          |        |        |                       |          |          |  |
| without fuel          |          |        |        | with fuel             |          |          |  |
| 3,390 lbs (1,539 kg)* |          |        |        | 5,520 lbs (2,506 kg)* |          |          |  |

\* Weight is approximate

Your MQ Power dealer is:



## MQ POWER

POST OFFICE BOX 6254

CARSON, CA 90749

310-537-3700 • 800-421-1244

FAX: 310-632-2656

E-MAIL: [mqpower@multiquip.com](mailto:mqpower@multiquip.com)

WEBSITE: [www.mqpower.com](http://www.mqpower.com)