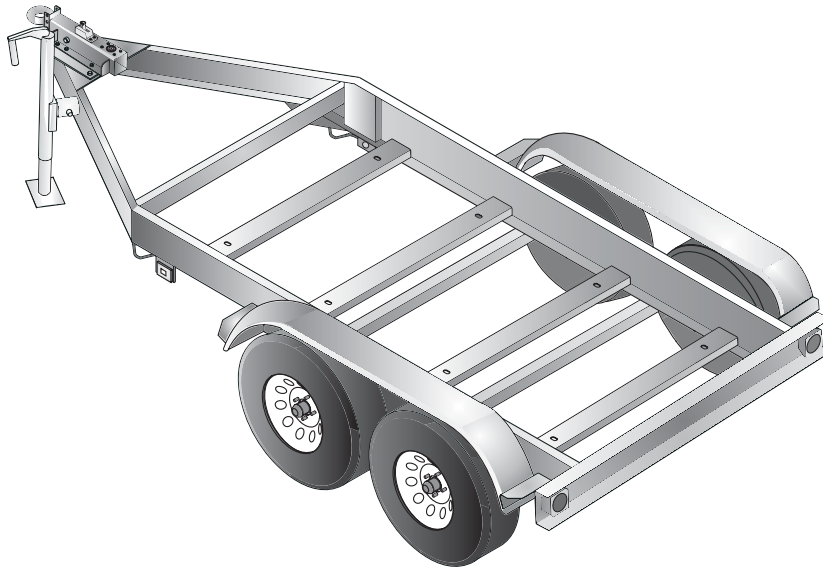




# TRLR85US Tandem Axle Trailer



TRLR85US Technical Data			
Gross Vehicle Weight Rating (GVWR)	7,000 lbs	Tire Size	ST225/75D15 LR-D
Gross Axle Weight Rating (GAWR)	3,500 lbs (ea.)	Wheel Bolt Pattern	6 Lug on 4.5 in
Actuator Rating	8,000 lbs	Tire Load Rating	2,540 lbs (ea.)
Coupler Rating	See Coupling Options on reverse page	Dimensions (LxWxH)	See Dimensions on reverse page

## Standard Trailer Features

- Fits MQ Power Generator Model DCA70USXF, DCA85USJ
- Tandem-axle Design with Torsion Type Suspension
- H.D. Welded Steel Frame Construction
- Structural Channel for Generator Mounting and Support
- Replaceable, Bolt-on Hydraulic Brake Actuator
- Surge Hydraulic-actuated Drum Brakes (all axles)
- Hydraulic Uni-servo Drum Brakes with Free-backing Plates - 10-inch Cluster
- D.O.T. Steel Brake Lines, Brass Tees & Rubber Hydraulic Brake Hoses
- 4-hole Channel Allows 3-position, Adjustable Coupler Height; 4-inches O/A
- Tongue Mounted Swivel Jack with Flat Disc-foot (rated 3,000 pound lift)
- Replaceable, Bolt-on Steel Fenders
- Serviceable Torsion-axle Swing Arms
- Powder Coat Paint Process including: Frame, Channel, Actuator & Fenders
- D.O.T. Approved Tail Lamps, Stop Lamps, Turn Signal Lamps, Side Marker Lamps
- Weatherproof, Rubber Armored, 3-piece Trailer Light Wiring Harness



# TRLR85US Tandem Axle Trailer

## Optional Trailer Equipment

- Bolt-on Electric Brake Coupler Plate with Electric-actuated Drum Brakes (all axles)
- Electric Breakaway Safety Device (electric-actuated brakes)
- Adjustable 2-inch Ball Coupler
- Adjustable 2 5/16-inch Ball Coupler
- Adjustable 3-inch Pintle-eye Coupler
- Rear Stabilizer Stands
- Tongue Mounted Utility Storage Box
- Anti-Theft Wheel Lock
- Spare Tire with Locking Mount

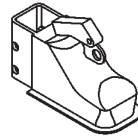
## Coupler Options

3" Pintle Eye  
20,000 lbs.



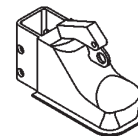
#EE36264

2" Ball Coupler  
10,000 lbs.

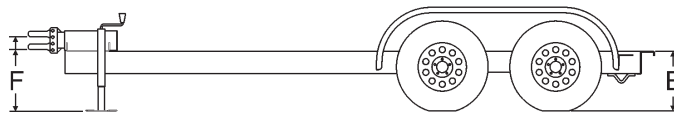
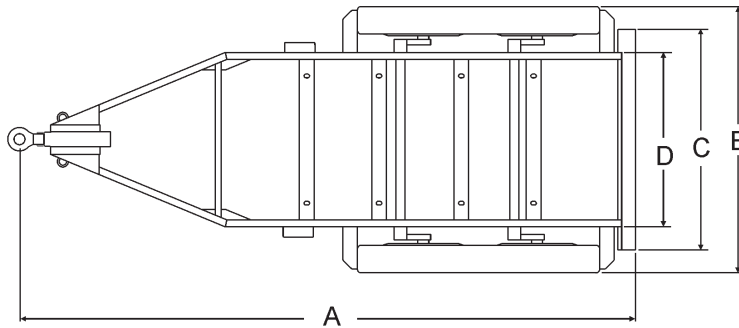


#EE43254

2-5/16" Ball Coupler  
14,000 lbs.



#EE43253



## Trailer Dimensions

A	B	C	D	E	F	
					Min	Max
177 in.	79.5 in.	70 in.	57 in.	19 in.	22 in.	26 in.

## Trailer Weight

1,070 lbs (486 kg)\*

\* Weight is approximate

Your MQ Power dealer is:



**MQ POWER**

POST OFFICE BOX 6254

CARSON, CA 90749

310-537-3700 • 800-421-1244

FAX: 310-632-2656

E-MAIL: [mqpower@multiquip.com](mailto:mqpower@multiquip.com)

WEBSITE: [www.mqpower.com](http://www.mqpower.com)